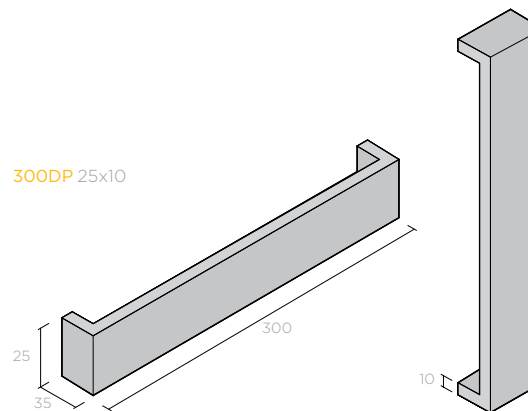
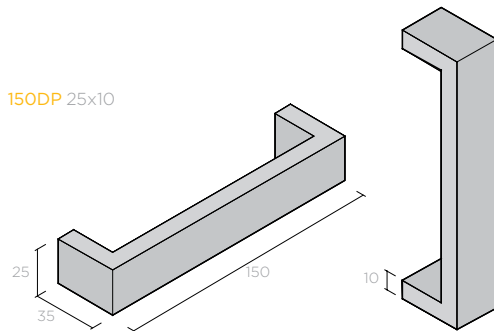
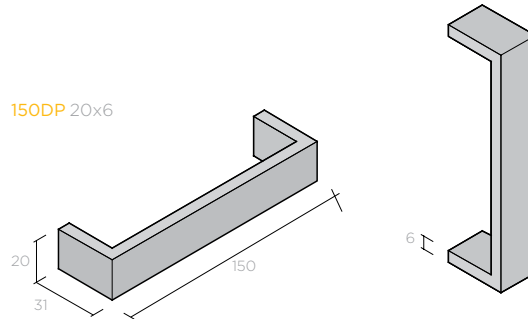
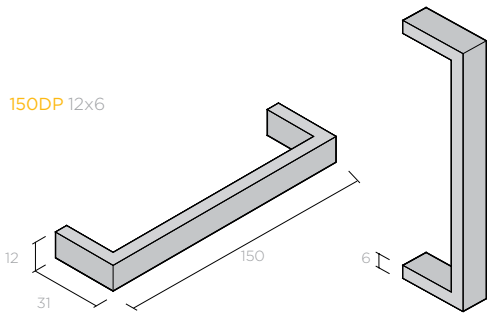




# D - PULL

## FEATURES

Solid stainless steel construction  
Single sided application  
Standard finishes: satin stainless steel [S]  
Special finishes: polished stainless steel [P], powder coating [PC]  
Minimum order: 5 units



**D-PULL 12X6**  
**SIZES AVAILABLE**

150mm  
200mm  
300mm

**CODE**  
150DP12X6  
200DP12X6  
300DP12X6

**D-PULL 20X6**  
**SIZES AVAILABLE**

150mm  
200mm  
300mm

**CODE**  
150DP20X6  
200DP20X6  
300DP20X6

**D-PULL 25X10**  
**SIZES AVAILABLE**

150mm  
200mm  
300mm  
600mm

**CODE**  
150DP25X10  
200DP25X10  
300DP25X10  
600DP25X10

Custom lengths available  
\* Minimum quantities apply

ALL MEASUREMENTS IN MILLIMETRES