



## FEATURES

Stainless steel construction  
 Back to back or single sided application  
 Concealed fixing  
 Standard finish: satin [S], Electroplating available soon, please call office to discuss [EP].  
 Special finishes: polished [P], powder coating [PC].

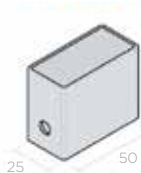
BCA COMPLIANT  
 A1428.1

TYPE A 25D



25X25

TYPE B 50X25



32X32

50X50

TYPE C 25X25



50X25

Type (A) flat fix

## TO SPECIFY PLEASE USE THE FOLLOWING GUIDE:

1. Length (mm)
2. Sen
3. (25X25) or (32x32) or (50x50) or (50x25 flat A)
4. Type of stanchion
5. V=vertical H=horizontal
6. Fixing point in from each end (ie. 60 or 160)
7. satin [S], polished [P]

## EXAMPLE:

Senna Rail 2000mm, 32x32mm, vertical, Type C stanchion, positioned 160mm (c/l), satin s/steel finish

## CODE:

2000SEN32X32V/C/160/S

## WHEN SPECIFYING 50X25

### SEE BELOW EXAMPLE:

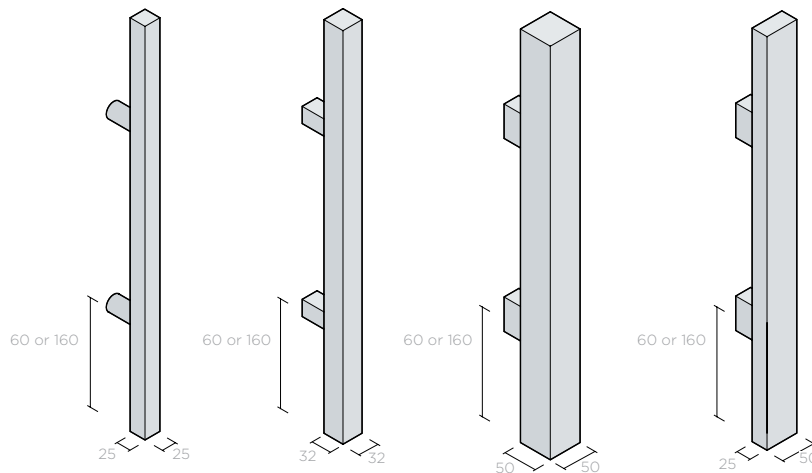
Senna Rail 2000mm 50x25mm, flat side fixing (A), vertical, Type C stanchion, positioned 160mm (c/l) in from each end, satin s/steel finish

## SPEC EXAMPLE CODE:

2000SEN50X25/A/V/C/160/S

Custom lengths available

\* Minimum quantities apply



ALL MEASUREMENTS IN MILLIMETRES